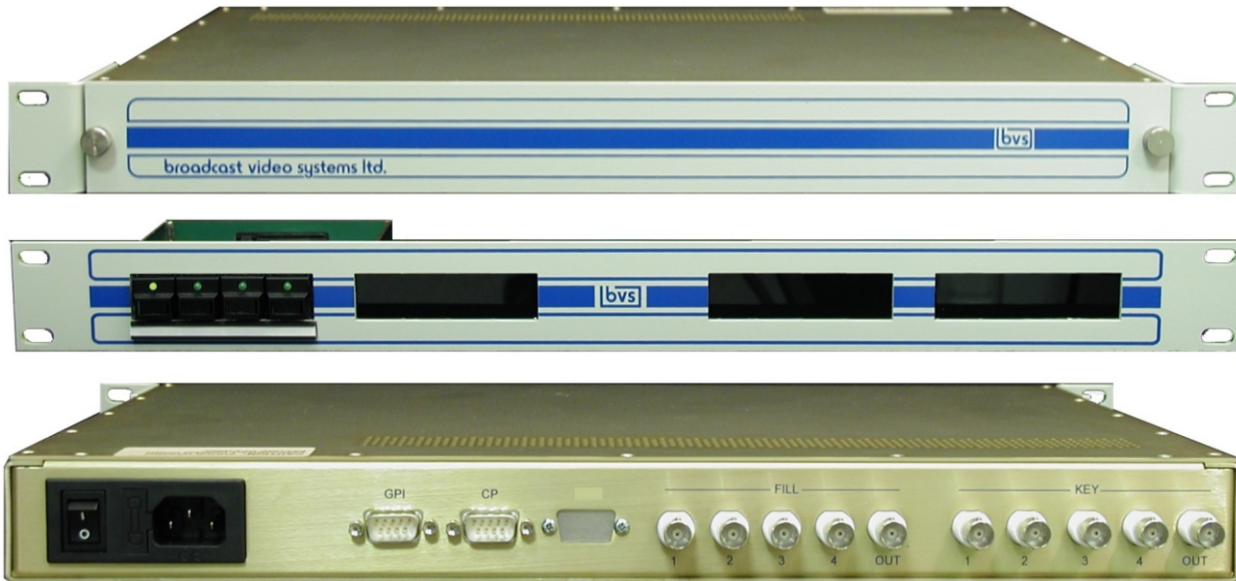
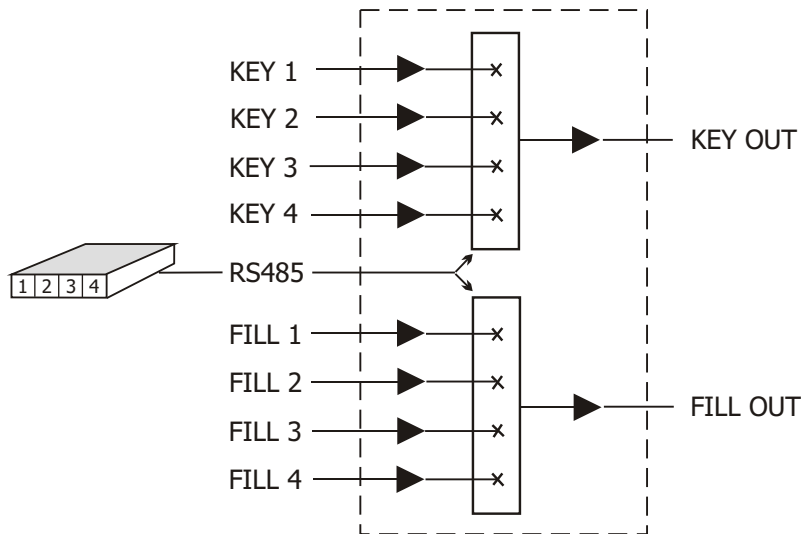




DM400 DIGITAL MATRIX FOUR INPUT, KEY/FILL SDI SWITCHER



- Expands the versatility of single input SDI keys
- Single button or GPI contact switches both key and fill signals
- GPI and RS485 interfaces
- Four button remote with tally back may be located up to 200 ft. from switcher
- 4.5" x 4" x 3/4" control panel may be removed from rack panel for custom mounting



Specifications subject to change without notice.

broadcast video systems corp.

10 Woltner Way, Markham, Ontario L3R 4R4

Ph(905)305-0565 Fax(416)946-1964 E-mail: bvs@bvs.ca Website: www.bvs.ca