



DMA200
SDI A/B MIX AMP

broadcast video systems corp.

25 Forest Ridge Rd., Richmond Hill, Ontario L4E 3L8
Phone (905)305-0565 Fax (416)946-1964
E-mail: bvs@bvs.ca Website: www.bvs.ca



DMA200 SDI A/B MIX AMP

OPERATING INSTRUCTIONS

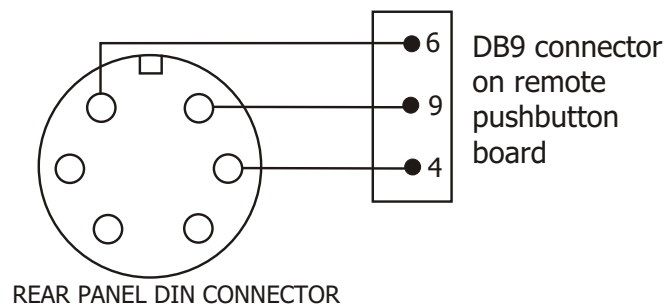
The BVS SDI A/B Mix Amp can be controlled via a pushbutton on the card edge, or one of two GPIs. The pushbutton is alternate acting.

On A/B mix, the MIX LED (LED8) will illuminate.

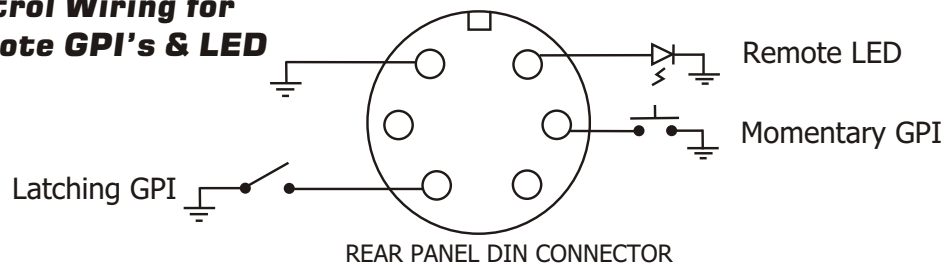
The rear panel control connector may be wired for:

- 1) Alternate acting A/B mix using the supplied pushbutton.
- 2) An alternate acting (momentary GPI) A/B mix.
- 3) A latching GPI mix to 'B' when grounded.
- 4) Tally out, goes high on A/B mix. Built-in series resistor suitable for driving LED.

Control Wiring for Supplied Pushbutton



Control Wiring for Remote GPI's & LED



The A/B mix rate is controlled by the card edge rotary switch. These are the frame accurate mix rates:

<u>POSITION</u>	<u>RATE (FRAMES)</u>
0	Cut to 'B'
1	5
2	10
3	15
4	20
5	30
6	40
7	50
8	60
9	70

Jumper JP1 controls the equalizer in the input receiver IC (GS7005 device located near the input BNC). For long cable lengths (greater than 30 ft.), activate the equalizer by moving the jumper to pins 2 and 3 (jumper on the two pins closer to the front of the board). Otherwise, leave the jumper on pins 1 and 2 (jumper on the two pins closer to the back of the board).

The PC boards are installed in the frame from the rear. To remove a board, unscrew the four bolts at the corners of the connector plate. Pull on the BNC connectors, using a termination for grip. To reinstall, slide the board into the card guides and push until the connector plate is flush with the rear panel.

DMA200 - SDI A/B Mix Amp

February 03, 2004

Parts List

Page 1

Item	Quant	Reference	Part
1	23	C1,C2,C4,C5,C6,C7,C11,C12,C14,C15,C16,C17,C21, C22,C24,C27,C28,C29,C30,C32,C33,C50,C52	
2	5	C3,C13,C31,C68,C73	
3	9	C8,C9,C10,C18,C19,C20,C23,C51,C53	
4	1	C25	
5	1	C26	
6	36	C47,C48,C49,C54,C55,C56,C57,C58,C59,C60,C61,C62, C63,C64,C65,C66,C67,C69,C70,C71,C72,C74,C75,C76, C77,C78,C79,C82,C83,C84,C86,C89,C96,C101,C102,C104	
7	2	C81,C80	
8	1	C87	
9	1	C97	
10	20	D5,D6,D7,D8,D9,D10,D11,D12,D13,D14,D15,D16,D17, D18,D19,D20,D21,D22,D23,D24	
11	3	FB3,FB6,FB7	
12	2	JP2,JP1	
13	2	JP4,JP3	
14	2	JP13,JP12	
15	3	J1,J2,J3	
16	1	J7	
17	1	J8	
18	3	LED1,LED2,LED8	
19	1	LED7	
20	4	Q1,Q2,Q5,Q6	
21	2	RLY1,RLY2	
22	5	RN1,RN2,RN3,R15,R39	
23	14	R6,R12,RN13,RN14,RN15,RN16,R85,R86,R87,R88,R89,R90, R92,R93	
24	4	R2,R3,R8,R9	
25	7	R4,R10,R55,R56,R57,R58,R119	
26	3	R5,R11,R19	
27	1	R13	
28	1	R14	
29	1	R16	
30	18	R17,R18,R20,R40,R50,R83,R84,R94,R95,R96,R98,R99,R100, R110,R111,R112,R113,R121	
31		R21	
32	1	R22	
33	1	R23	
	1		

DMA200 - SDI A/B Mix Amp

February 03, 2004

Parts List

Page 2

Item	Quant	Reference	Part
34	17	R33,R34,R35,R36,R37,R38,R47,R48,R49,R60,R70,R7, ,R74,R75,R76,R77,R91	1k0
35	1	R82	10M
36	2	R102,R103	470R
37	2	R115,R114	47R
38	1	Sw2	SW DIP-BCD
39	1	Sw3	PB
40	2	U3,U1	CY2303SC
41	2	U4,U2	GS7005-CQT
42	1	U5	Gs9001
43	1	U6	Gs9022
44	1	U9	LM2937IMP-2.5
45	1	U10	LM2937IMP-3.3
46	1	U11	EPC1PC8
47	1	U13	EP1K50QC208-3
48	1	U14	74LVX3245WM
49	1	U16	MM74HC138M
50	1	U17	68HC11E1
51	1	U18	CL62C064P-10
52	1	U19	27C256
53	1	U20	Mc34064
54	1	U21	74HC573AN
55	1	U22	MM74HC08M
56	1	U23	MM74HC00M
57	1	Y1	7.372800 Mhz